

2628

2628 Hydraulic Installation Tool

Specifications

Weight:

7.71 kg (17 lbs.)

Stroke:

46 mm (1.81")

Max Operating Hydraulic Pressures:

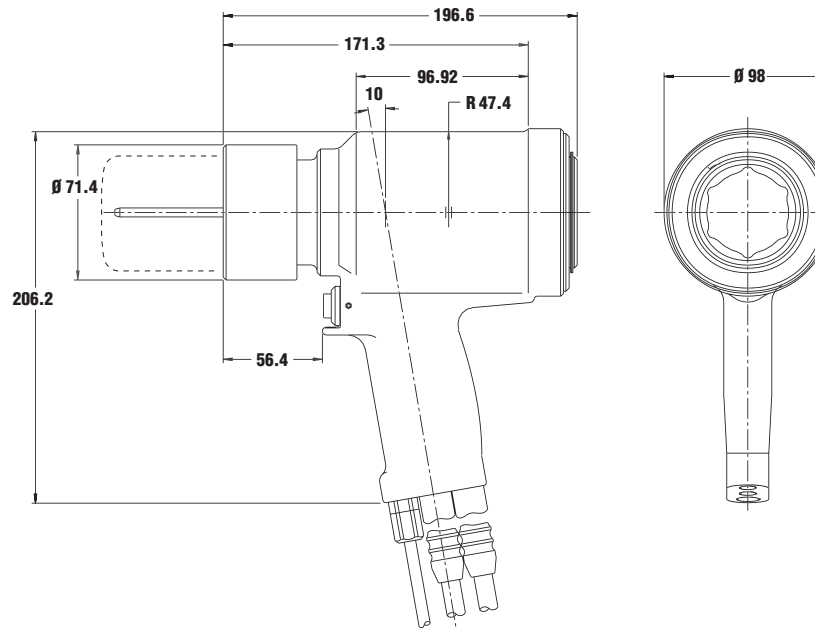
Pull-510.35 bar (7,400 psi)

Return-220.68 bar (3,200 psi)

Capacity:

177.30 kN @ 448.28 bar

(39858 lbs @ 6500 psi)



HUCK® INTERACTIVE CD ROM : NOSE ASSEMBLY TABLE

2628

Some Nose Assemblies & Fasteners for use with the 2628 tool

Type	Diameter	Nose Assembly
BOM	15.9 mm (⁵ / ₈ "	99-5102
	19.1 mm (³ / ₄ "	99-5103
C50L	15.9 mm (⁵ / ₈ "	99-5008 , 99-5009
	19.1 mm (³ / ₄ "	99-5010 , 99-5013
HUCK-FIT	14 mm	99-5408
HUCK-FIT	16 mm	99-5301
HP8	15.9 mm (⁵ / ₈ "	99-5301, 99-5302
	19.1 mm (³ / ₄ "	99-5303

Items in **bold** are part of our FOCUS Tooling Range